

Smart Wire-Free Security Camera System

Model: Tapo C400S2

Smart. Secure. Easy.

 180-Day Battery Life*

 1080p Full High Definition

 Smart AI Detection and Notification

 IP65 Water & Dust Resistant



works with 

 works with Google Home


2-Camera System

// Highlight

Smart AI Detection and Notification

Smart AI identifies people, pets, and cars, notifying users as needed.

Flexible Storage Choices

Save recorded videos on the hub-installed microSD card[†] (Up to 512GB) or using Tapo Care^{**} cloud storage service.

// Features



180-Day Battery Life*

The rechargeable and removable battery with a low-power protocol extends your usage.



Wire-Free Placement

No wires means you can place the cameras almost anywhere inside or outside – whatever works for you!



1080p Full HD Live View

Check 24hrs clear live view through the Tapo app.



Two-Way Audio

Communicate in real time through a built-in microphone and speaker.



IP65 Weatherproof

Helps Tapo C400S2 perform well even in harsh environments with rain and dust.



Activity Zone

Notifies you when activity is detected in your specific zone.



Sound Alarm

Trigger sounds as an alarm when activity is detected.

Note: Hub Indoor Use Only

// Specifications

Camera

- Image Sensor: 1/3"
- Resolution: 1080p Full HD (1920 × 1080 px)
- Night Vision: 850 nm IR LED up to 49 ft/15m
- Lens: F/NO: 2.0±5%; Focal Length: 3.15mm±5%
- View Range: 114°

Audio

- Audio Communication: 2-way audio
- Audio Input & Output: Built-in microphone and speaker

Video

- Video Compression: H.264
- Frame Rate: 15/20 fps
- Video Streaming: 1080p
- Audio Compression: G.711

Activity Notifications

- Input Trigger: Motion detection, Person detection, Pet detection, Vehicle detection.
- Output Notification: Notification, Snapshot (Tapo care), Clips (Tapo care).

Network

- Wireless Protocols: IEEE 802.11b/g/n, 2.4 GHz
- Frequency: 2.4 GHz
- Wireless Security: WPA/WPA2-PSK
- Security: 128 bit AES encryption with SSL/TLS
- Protocol: TCP/IP, ICMP, DNS, HTTPS, TCP, UDP

// Specifications

Hardware

- Camera Adapter Input: 100-240 V, 50/60 Hz
- Camera Adapter Output: 5.0 V, 1.0 A
- Camera Typical Power Consumption: 0.673 W
- Camera Maximum Power Consumption: 1.356 W
- Hub Adapter Input: 100-240 V, 50/60 Hz, 0.3 A
- Hub Adapter Output: 9.0 V, 0.85 A
- Hub Maximum Power Consumption: 9 W
- External Storage: microSD card slot †(Supports up to 512 GB)
- Camera Dimensions (L x W x H): 4.35 x 2.52 x 2.52 in. (110.6*64.2*64.2 mm)
- Hub Dimensions (L x W x H): 2.8 x 2.8 x 1.2 in. (71.45*71.45*31.25 mm)

†microSD card needs to be purchased separately.

*180-day battery life is based on TP-Link's laboratory testing with 10-20 triggered events per day. Actual battery life may vary based on device settings, use, and environmental factors.

**Tapo Care needs to be subscribed separately.

Others

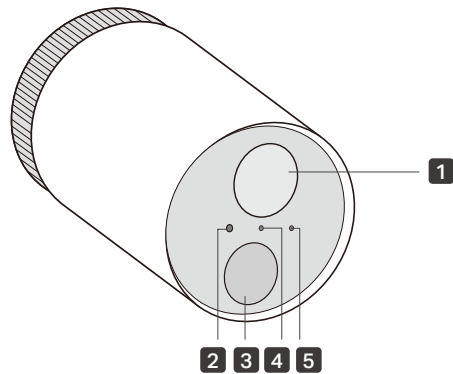
- Certification: CE, RoHS, RCM
- Package Contents:
 - Tapo C400 Cameras (Battery Included)
 - Tapo H200 Hub
 - USB Adapter
 - USB Adapter Cable
 - DC Power Adapter
 - Mounting Screws
 - Mounting Templates
 - Camera Brackets
 - Quick Start Guide
 - RJ45 Ethernet Cable
- Operating Temperature: -20 °C~45 °C(-4 °F ~113 °F)
- Storage Temperature: -20 °C~60 °C (-4 °F~140 °F)
- Operating Humidity: 10%~90%RH, Non-condensing
- Storage Humidity: 5%~90%RH, Non-condensing

Specifications are subject to change without notice. All brands and product names are trademarks or registered trademarks of their respective holders.

©2023 TP-Link

// Device Appearance

Front



1 Lens

2 Light Sensor

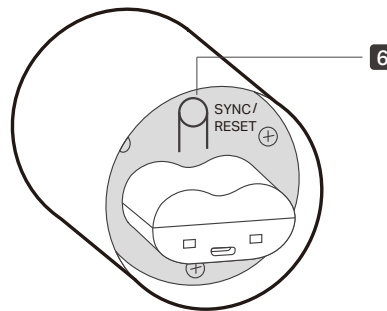
3 Motion Sensor

4 Status LED

Indicate the status of your camera.

5 Microphone

Back



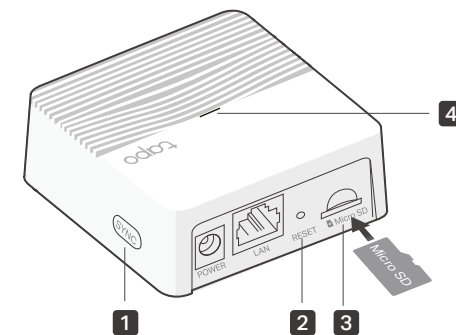
6 SYNC/RESET Button

While the camera is powered on:

Press for 1 second: Pair with the hub

Press and hold for about 5 seconds: Reset the camera

Hub Appearance



1 SYNC Button

Press to pair with the camera, or silence the hub when it rings.

2 RESET

Use a pin to press and hold for about 5 seconds until the hub LED quickly blinks red to reset the hub.

3 microSD Card Slot

Insert a microSD card to record camera videos locally. Initialize the microSD card within the Tapo app first.

*microSD card not included.

4 Status LED

Indicate the status of your hub.